

POLAR 80

VACUUM PACKAGING MACHINE



DESCRIPTION

The robust, stainless steel Polar 80 vacuum packaging machine is standard equipped with a Busch vacuum pump. This floor model complies with CE standards.



Henkelman offers standard 3 year warranty.

FEATURES

- Standard with 2 seal bars: 760 mm (front), 510 mm (right).
- Other seal bar configurations available for free (front-back, left-right)
- Standard double seal (two wires). Optional without extra costs: Cut-off or Wide seal (10 mm)
- Silicone holders easily removable for cleaning and maintenance purposes
- Pump capacity: 100 m³/h Busch vacuum pump
- Pump maintenance and cleaning program
- Machine cycle: 15-40 sec
- Standard Soft Air to protect the product and vacuum bag
- Standard Digital control with 10 program memory and Time control
- Flat work plate
- Comes with insert plates for a faster cycle and product adjustment
- Stainless steel exterior
- IP-65 Classification

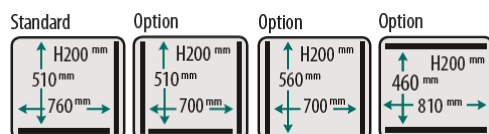
OPTIONS

- 3 seal bars (left-front-right)
- 1-2 Cut-off/Bi-active seal
- Sensor control, Advanced Control System (ACS)
- Liquid control
- Gas flush (incl. pressed air connection)
- Preparation for external pump
- **New: Extra high contra bar**

ACCESSORIES

- Zebra ZD410 thermal label printer (only in combination with ACS)
- Inclined insert plate (for vacuum packing liquids and powders)
- Service kit for standard maintenance

SEAL BAR CONFIGURATIONS

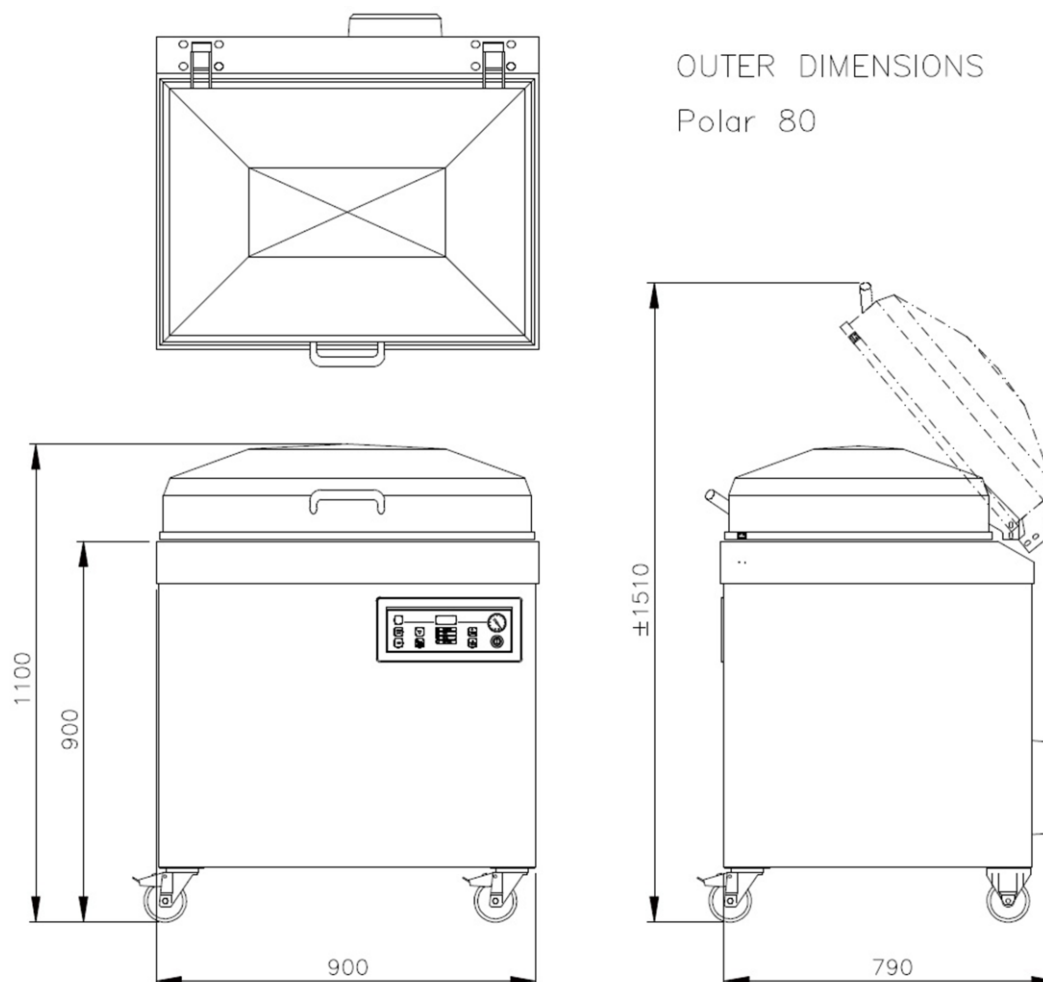


VACUUM PACAGING MACHINE POLAR 80 – SPECS

VACUUM PACKAGING MACHINE POLAR 80 – SPEC SHEET

DIMENSIONS

In mm



OUTER DIMENSIONS

Polar 80

Model	Dimensions (mm)		Voltage* (Hz)	Pump capacity (m ³ /h)	Power (kW)	Weight (kg)
	Chamber (usable space) L x W x H	Machine L x W x H				
Polar 80	510 x 760 x 200	790 x 900 x 1100	400V-3-50	100	3,0-5,0	248

* Other voltages available



HENKELMAN BV
Titaniumlaan 10
5221 CK 's-Hertogenbosch
The Netherlands

Sales support
P +31 73 621 36 71
E info@henkelman.com
Service/technical support
P +31 73 621 36 71
E service@henkelman.com